



US005841974A

# United States Patent [19]

[11] Patent Number: **5,841,974**

Krone et al.

[45] Date of Patent: **Nov. 24, 1998**

[54] **ULTRA HIGH SPEED DATA COLLECTION, PROCESSING AND DISTRIBUTION RING WITH PARALLEL DATA PATHS BETWEEN NODES**

4,794,593 12/1988 Lenart ..... 370/382  
4,930,122 5/1990 Takahashi et al. .... 370/473

[75] Inventors: **Norris Krone**, Annandale; **Roger Pierson**, Castleton, both of Va.; **Glenn Connor**, Laurel; **Virgil Davis**, Fulton, both of Md.

Primary Examiner—Krisna Lim  
Attorney, Agent, or Firm—Jim Zegeer, Esq.

[73] Assignee: **University Research Foundation, Inc.**, Greenbelt, Md.

### [57] ABSTRACT

[21] Appl. No.: **617,051**

[22] Filed: **Mar. 18, 1996**

A high speed data collection processing and distribution system for coupling a plurality of digital data sources to a plurality of digital data processors. The system includes a plurality of segmented parallel data paths and a plurality of nodes connecting said parallel data paths in an endless ring. Each node includes an input connector for connecting the end of one of said segments of parallel data paths on a one-for-one basis; a data multiplexer, a plurality of node parallel data paths in the node corresponding to the segmented parallel data paths, respectively, connected to the input connector and the data multiplexer such that data input to the multiplexer corresponds to respective ones of the segmented parallel data paths. A processor is coupled to said node parallel data paths, and as a second input to the multiplexer a common source of clock and slot signals is independently connected to said control processor in each node, respectively, for controlling the timing thereof. Each node also includes transmit and receive FIFO buffer memories, address, exclusive source and pattern match circuits and a local clock distribution circuit.

### Related U.S. Application Data

[62] Division of Ser. No. 42,273, Apr. 2, 1993, Pat. No. 5,502, 817.

[51] Int. Cl.<sup>6</sup> ..... **G06F 13/38**; H04J 3/02

[52] U.S. Cl. .... **395/200.31**; 395/200.68;  
395/200.73

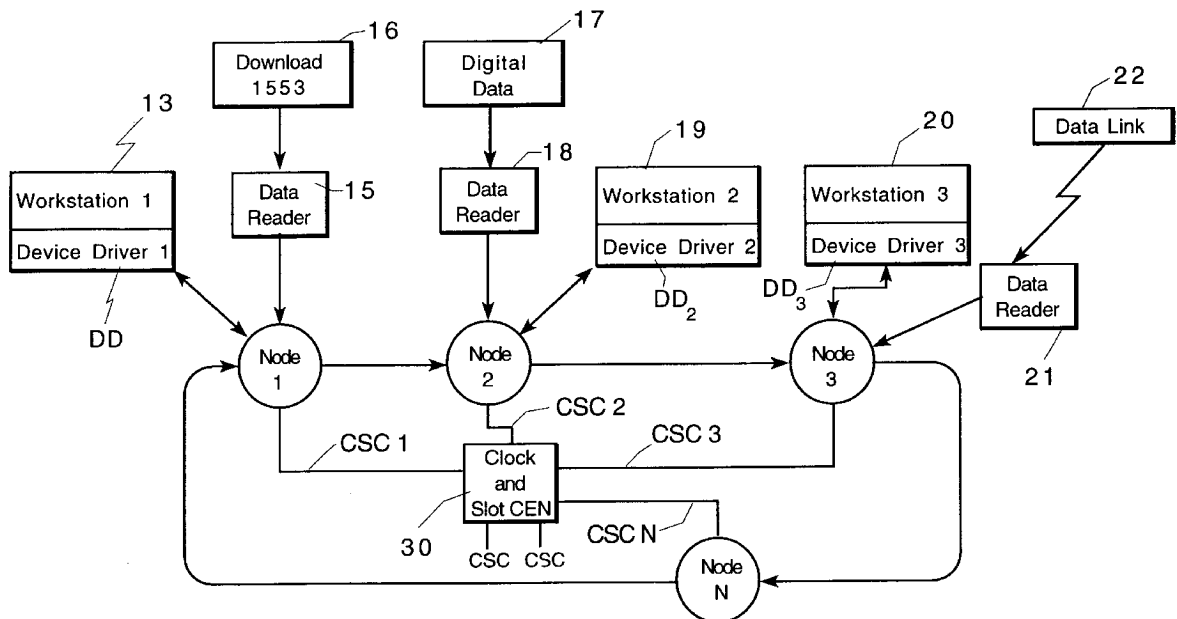
[58] Field of Search ..... 370/382; 395/200.16,  
395/200.31, 200.68, 200.73

### [56] References Cited

#### U.S. PATENT DOCUMENTS

4,769,813 9/1988 Lenart ..... 370/382

**4 Claims, 3 Drawing Sheets**



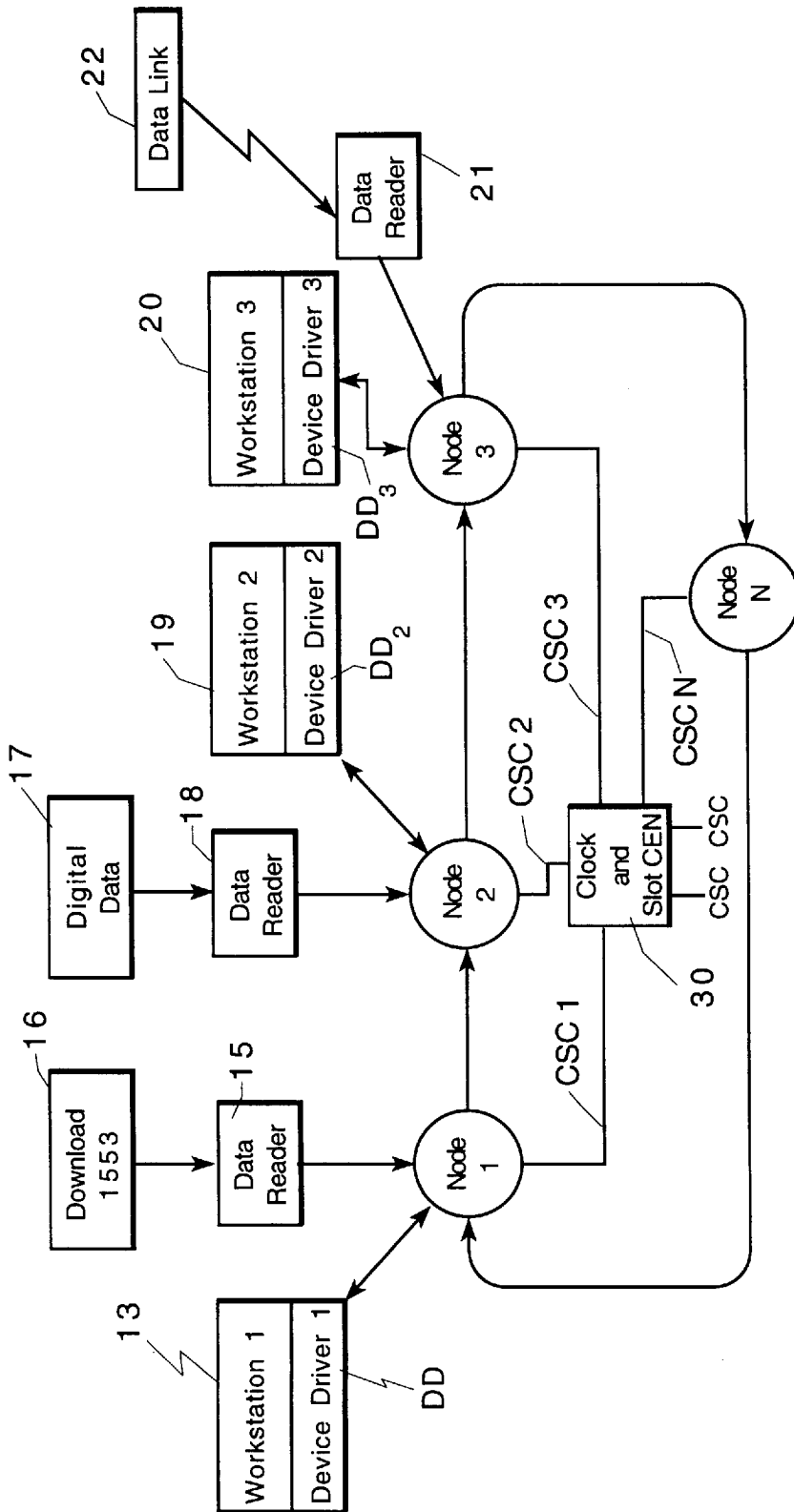


FIG. 1

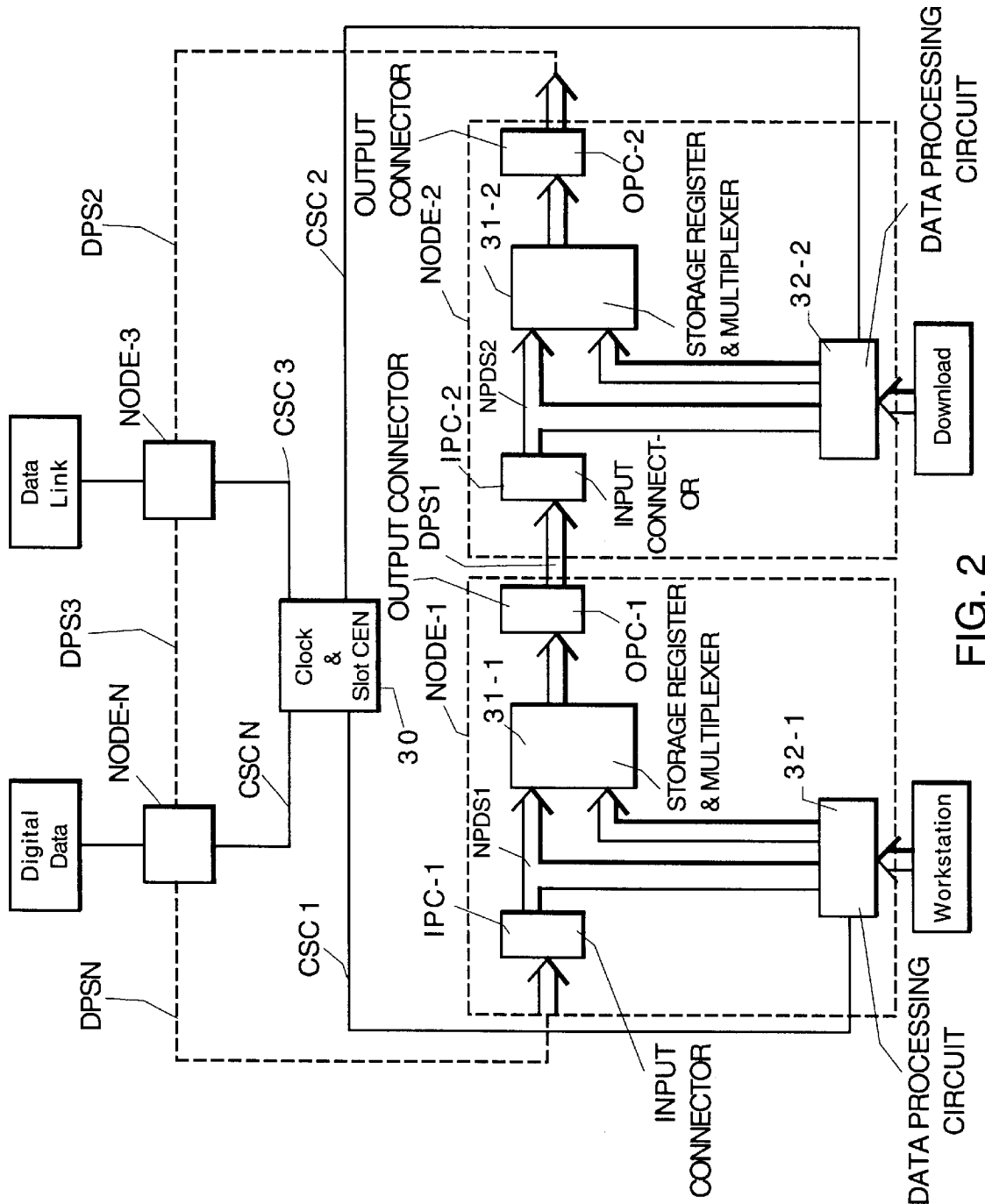


FIG. 2

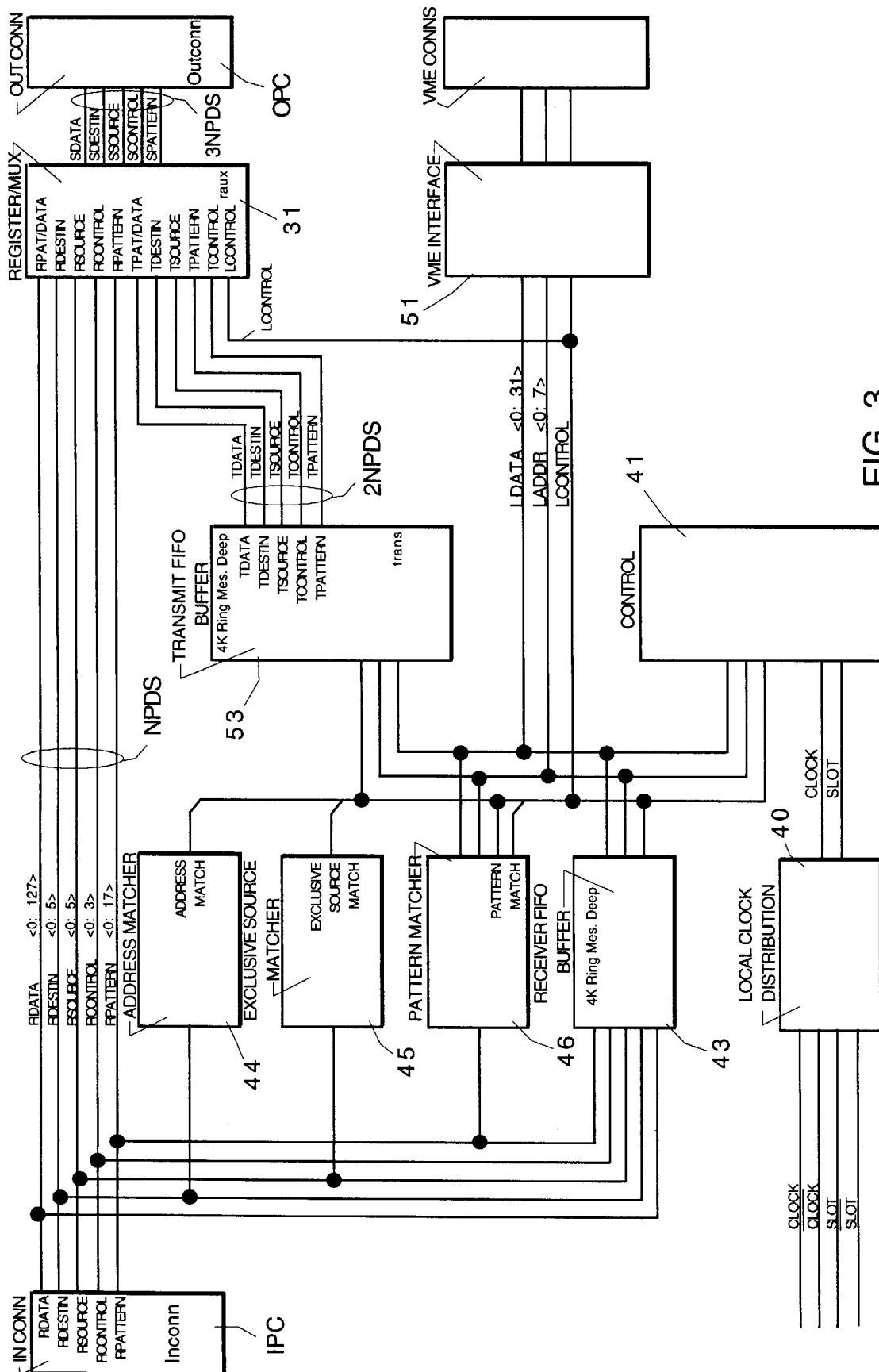


FIG. 3

# ULTRA HIGH SPEED DATA COLLECTION, PROCESSING AND DISTRIBUTION RING WITH PARALLEL DATA PATHS BETWEEN NODES

## REFERENCE TO RELATED APPLICATION

This application is a division of application Ser. No. 08/042,273 filed Apr. 2, 1993, now U.S. Pat. No. 5,502,817 issued Mar. 26, 1996 and entitled "ULTRA HIGH SPEED DATA COLLECTION PROCESSING AND DISTRIBUTION RING WITH PARALLEL DATA PATHS BETWEEN NODES".

## FIELD OF THE INVENTION

The present invention relates to a ultra high speed parallel data fusion system for significantly improved data collection, discrimination processing and distribution.

## BACKGROUND ART

Takahashi et al U.S. Pat. No. 4,930,122 discloses a circuit which reassembles segmented packets into the original message by use of message buffers and seeks to use minimum buffers in each node. In contrast, the present invention does not employ the packet and in the present invention, each message on the transmission loop can be considered to be self-contained and independent of any other message. FIFO buffers, employed in the invention and described more fully hereafter, are used for performance reasons and not for the purpose of packet reassembly. The multilevel security functionality of the present invention and the method of parallel data transmission are not disclosed.

Takeuchi et al U.S. Pat. No. 4,569,041 relates to an integrated circuit/packet switching system. Nakai et al U.S. Pat. No. 4,831,512 relates to a message processing system. Shimizu U.S. Pat. No. 4,815,071 also relates to a packet-switched communication network for efficiently switching non-burst signals. Foudriat et al U.S. Pat. No. 5,229,993 relates to a combination of two new access methods for ring and unidirectional bus networks to support high data rate integrated traffic. Sweazey U.S. Pat. No. 5,165,019 relates to a ring interconnect system architecture. Tanaka et al U.S. Pat. No. 5,339,317 also relates to a packet communication network. Port et al U.S. Pat. No. 5,243,596 relates to a data communication network for multi-casting and resource locking. Sakamura et al U.S. Pat. No. 5,274,637 relates to a token-ring type local area network (LAN). DiGiulio et al U.S. Pat. No. 4,947,317 relates to a communication protocol for a three node system. Sweazey U.S. Pat. No. 5,165,024 relates to a computer system interconnection. Ebersole U.S. Pat. No. 4,982,400 discloses a ring bus hub for a star local area network. Finally, Lanier et al U.S. Pat. No. 4,468,734 discloses a method of purging erroneous signals from closed ring data communication networks capable of repeatedly circuiting such signals.

Lenart U.S. Pat. Nos. 4,794,593 and 4,769,813 and Fredricksson et al U.S. Pat. No. 5,119,373 disclose closed ring of switching nodes which are time division multiplexed CTDM. Goertz U.S. Pat. No. 4,755,991 and Brandsma et al U.S. Pat. No. 4,533,234 also disclose a ring shaped TDM system including a message channel used for an arbitration procedure between contending nodes. Jones et al U.S. Pat. No. 4,633,246 discloses a closed ring TDM system in which alternate parallel paths are provided in case of a node failure.

## SUMMARY OF THE INVENTION

This invention provides a data processing architecture for coupling a plurality of digital data sources and processors in

which a plurality of nodes, one for each digital data source and/or digital data processor are coupled in a ring by a plurality of parallel ring data path segments connecting the nodes in a limitless ring, and incorporating a precision clock distribution system. Each node includes input and output connectors for connection to parallel ring data path segments and an internal parallel data path connected between the input connector and a storage and multiplexing circuit for message storage and to implement the synchronous parallel ring function. A second input to the storage register and multiplexer is coupled by a similar plurality of parallel data path segments coupled from a storage buffer which receives data from the local device, whether it be a workstation, data reader, or other equipment. This interface causes the ring node to appear to the host as a portion of its memory address space. A precision clock distribution system is utilized to provide ring clock signals to the ring shift elements of the multiplexer block. Incoming messages are presented to an address matcher, an exclusive source matcher, a pattern matcher, and receiver FIFO buffer. Clock and slot information is provided to each node via a global clock and slot distribution network.

The ring architecture of the present invention provides a high speed node-to-node bit transfer rate of 3.24 gigabits/second. There need be no modification to the data source and it is interfaceable to multiple data sources and processors. The distribution of data can be to multiple types of workstations and, as between nodes, there can be total discrimination and selection. The invention is adaptable to multiple digital formats (MIL STD 1553, SCSI, VME, HSD, etc.). It is small, light weight, mobile, flexible, robust, adaptable, and can handle multiple levels of classified data as well as accept real-time data linked data. There is a reduction in the bandwidth requirements to the workstation. Moreover, for an unknown or coded destination node, data only need be sent once.

## BRIEF DESCRIPTION OF THE DRAWINGS

The above and other objects, advantages and features of the invention will become more apparent when considered with the following specification and accompanying drawings wherein:

FIG. 1 is a schematic illustration of a high speed ring data transfer system incorporating the invention,

FIG. 2 is a block diagram illustrating the interconnection of major components of the nodes, and

FIG. 3 is a detailed block diagram of a preferred node embodiment.

## DETAILED DESCRIPTION OF THE INVENTION

Referring to FIG. 1, a ring node data acquisition and distribution system is illustrated as having a plurality of nodes  $N_1, N_2, N_3 \dots N^N$ , there being one for each digital source and/or data processor which are interconnected by a plurality of parallel ring data path segments connecting the nodes in an endless ring and a source of system clock and slot identify the ring signals to each node.

A pair of signals, the clock and its complement, as generated by clock and slot generator 30 are distributed to each node to indicate the precise time to shift a message (made up of parallel signal paths) to the next node in the ring. These clock signals occur at a frequency equal to that at which messages are shifted on the ring. The differential pair of signals (clock and complement) is used in order to

increase noise immunity. The difference between these two signals is used to generate the local clock signals on each node card. Any noise that is picked up between the central clock source and the node card destination is likely to be present on both signals and therefore canceled out when the difference is taken. The binary levels used on the clock lines are the same as those used in standard ECL (emitter coupled logic) even though Gallium Arsenide circuitry is preferably used.

The slot signal is also distributed via-central source **30** in a like manner to that of the clock signal. The timing skew parameters are not nearly so critical as those for the clock signal however. The slot signal indicates to the node card that any message contained in its transmitter can be shifted onto the ring on the next occurrence of the clock signal. The slot signal is generated by dividing the clock frequency by the number of nodes on the ring. The clock and slot signal conductors CSC to all nodes are of the same length. Thus, all nodes on the ring insert their messages at precisely the same time. On clock edges that do not occur when the slot signal is active, all the nodes are examining incoming messages that originated from other nodes on the ring.

As shown in FIG. 1, node **1** can be coupled via a device driver DD to workstation **1** and, at the same time, via a data reader **15** to download from a source using MIL STD **1553** data format. Node **2** can be coupled to one or more digital data sources **17** via its data reader **18** and, at the same time, deliver data via device driver DD2 to workstation **19**. Similarly, node **3** can be coupled via device driver DD3 to workstation **20** and, via a data reader **21** to a remote data link **22** via a radio link, an infrared link, an optical fiber cable, or regular copper conductors.

Referring now to FIG. 2, nodes **1, 2, 3 . . . N** are connected by a plurality of ring data path segments **DPS1, DPS2, DPS3 . . . DPS<sub>N</sub>**. The data path segments **DPS1, DPS2, DPS3 . . . DPS<sub>N</sub>** are constituted by multiple parallel paths shown in detail in FIG. 3 (data **0:127** (128 data lines denoted DATA **0** through DATA **127**), destination **0:5**, source **0:5**, control **0:3**, pattern **0:17**) for a total of 162 parallel paths. In addition, the nodes are synchronized using clock and complement clock signals from clock and slot generator **30**. As diagrammatically illustrated in FIG. 2, each node includes an input connector **IPC1** and an output connector **OPC1**. A plurality of node parallel data path segments **NPDS1** for node **1**, and **NPDS2** for node **2**, and the remaining nodes have corresponding node parallel data paths. The node parallel path segments are connected to the input as one input of the node storage register and multiplexer **31** and also to the node local processing circuitry **32** (shown in greater detail in FIG. 3). The local VME interface and VME connector are coupled via local data processing circuitry **32** as a second input to storage register and multiplexer **31**. A second plurality of node parallel data paths **2NPDS1** couples the node processor **32-1** to the node storage multiplexer **31-1**. Finally, a third plurality of node parallel data paths **3NPDS1** couples the output of the node storage and multiplexer unit **31** to output connector **OPC2**.

As noted earlier, each of the processors are connected by a device driver to the node. By virtue of this architecture, ultra high speed node-to-node data transfers (up to 1600 megabytes/second) can be achieved without modification to the data sources or local processor. The distribution of data from various and multiple types of workstations can be easily achieved with total discrimination and selection between stations. Multiple digital formats can be accommodated in a small light weight mobile ring data processing network. Moreover, the system can handle multiple levels of

classified data as well as accepting real-time data linked data. Referring now to FIG. 3, showing greater details of the node circuitry, each node is provided with an input connector **IPC** and an output connector **OPC** in physical data paths comprising data (128 parallel paths), destination (6 parallel paths), source (6 parallel paths), control (4 parallel paths), and pattern (18 parallel paths). These node data path segments match the parallel ring data path segments on a one-for-one basis and interconnect all nodes in an limitless ring. Each node is provided or assigned a time slot from clock and slot generator **30** which is supplied to a local clock distribution circuit **40**. The high ring shift frequency makes use of a precision clock distribution system essential. The ring clock signals and the slot information signals are received by the local clock distribution circuit **40** and delivered to the control **41**. Control block **41** provides the logic that implements the functionality of the ring. Events such as reading and writing messages to the ring, specifying a pattern to be read and changing reception modes are controlled by control unit **41**.

The signals on the node parallel data path segments are coupled to the **4K** ring message receiver FIFO buffer **43**. The destination signals are coupled to address matcher **44**. The logic of address matcher **44** determines if an incoming message present on the inbound-connector **IPC1** was sent via the address mode and, if so, whether it was addressed to this particular node. If it is addressed to this particular node, a signal is generated to direct the control logic **50** to copy the message into the receiver FIFO buffer **43**.

A node on the ring may exclude all messages not sent by a particular node as determined by its address. Exclusive source matcher **45** determines if the local node is in exclusive source mode and, if so, compares the incoming message source field with a local register containing the address of the desired sender. If a match occurs, and the other condition for receiving the message are met, a signal is generated to direct the control logic to copy the message into the receiver FIFO buffer **43**. Note that the exclusive source matcher **44** is only connected to the source set of parallel data paths in the node parallel data path segments. Pattern matcher **46** is constituted by a 256K by 1 bit dual ported memory. This memory is addressed by the local node host processor via the VME bus interface **51** and by the pattern field of the incoming message. The 262,144 locations in the above memory are assigned a meaning a-priori which is referred to herein as the pattern. If the local host is interested in receiving messages corresponding to a given pattern, it will write a binary 1 into the memory location with the same address. Upon receipt of an incoming message, the pattern field is used to read the memory. If the result of this read is a binary 1 digit, then a signal is generated to direct the control logic to copy the message into the receiver FIFO buffer **43**. This memory is also readable by the local host so that it may verify for diagnostic purposes what patterns are currently enabled for receipt.

Multiple level network security is provided by implementing part of the above dual-ported memory in a read-only technology only nodes authorized to receive messages under privileged patterns would have a one digit stored in the corresponding ROM locations. The number of levels of security offered under this method is limited only by the number of memory locations implemented in a read-only memory.

Referring to the receiver FIFO buffer memory **43**, in order to match the very high message reception rate experienced by a node with the slower rate that messages may be transferred to the host, this first-in, first-out buffer memory

is utilized. This buffer **43** can be written with messages at maximum incoming rate of messages from the ring. Messages are stored in the buffer **43** in bit parallel fashion, and the entire message is copied from the inbound connector IPC1. Messages are read out of the buffer **43** by the host completely asynchronously with respect to the above process. Read and write signals as well as clock signals are provided to the receiver and transmitter FIFO memories by the control logic block **50**.

Messages from the node are buffered in transmit FIFO buffer **53**. Transmit FIFO buffer **53** buffers messages bound for the ring. The bandwidth on the VME interface **51** to the host is better utilized by use of this buffer. The host sends messages to FIFO buffer **53** using the VME bus transfer mode, minimizing the time required for the transfer. Use of this FIFO buffer **53** also allows the transfer of messages to be completely asynchronous with the ring clock and slot signals which also allows a faster transfer. A further plurality of node data path segments 2NPDS corresponding in number on a one-for-one basis to NPDS couples the transmit FIFO buffer **53** to storage register and multiplexer **31**. The storage register and multiplexer incorporates the necessary one-message storage to implement the synchronous parallel ring functionality. On the occurrence of the rising edge of a centrally generated precision clock signal from local clock distribution node **40**, the message present in the input side of the message-wide register is transferred to the output side. The input is taken either from the inbound connector IPC1 and the node parallel data path segments, or from the node parallel data paths segments 2NPDS from the transmit FIFO buffer **53**, depending on the state of the slot signal from the local clock distribution circuit **40**. The slot signal indicates to all nodes when it is time for them to place messages onto the ring.

The VME bus interface **51** provides an industry standard interface between the ring and the local host, whether it be a workstation, data reader or other equipment. The implementation provides 32 bit data and address paths as well as vectored interrupts for informing the host of node events. By using this interface **51**, the ring node appears to the host as a portion of its memory address space.

The local clock distribution circuit **40** couples the high ring shift frequency from the precision clock to the node. The ring clock signals are delivered to the ring shift elements of the register multiplexer block **31** with a total skew of less than one nanosecond. This is accomplished by using gallium arsenide integrated circuit technology.

There has thus been illustrated and described a high speed slotted ring architecture for ultra high speed node-to-node data transfer (up to 1600 megabytes/second). It requires no modifications to data sources which are easily interfaced to the system using standard interfacing circuitry. Data is distributed to multiple types of workstations and is received from multiple types of data sources. The system enables total discrimination and selection between nodes and provides for multiple digital formats (MIL STD, Navy AVI-craft) It is small, light weight and mobile and can handle multiple levels of classified data, as well as accept real-time data linked data.

While there has been shown and described one preferred embodiment of the invention, it will be appreciated that other modification and adaptations thereof will become readily apparent to those skilled in the art.

We claim:

1. A high speed data linking system for coupling a plurality of digital data sources and data processors, comprising:

a plurality (N) of nodes, one for each of said digital data sources and digital data processors, respectively,

a plurality of parallel ring data path segments connecting said plurality of nodes in a limitless ring, said parallel ring data path segments having input and output ends, each of said plurality of nodes including:

an input connector means connected to the output end of the one of said plurality of parallel data path segments preceding said node,

a multiplexer means having parallel input and outputs,

a plurality of node parallel data paths connected between said input connector and said multiplexer,

signal processor means connected to said parallel ring data path segments, said data processor having parallel outputs,

a second plurality of node parallel data paths connecting said parallel outputs of said signal processor to said multiplexer,

an output connector,

a third plurality of node parallel data paths connecting said multiplexer parallel outputs to said output connector,

said output connector being connected to the input end next succeeding plurality of parallel ring data paths segments succeeding said node,

a common source of clock signals having a frequency (F) commonly connected to all said plurality of nodes and means for generating a slot signal for each node which is a function of the clock frequency (F) divided by the number of nodes N.

2. A high speed data collection, processing and distribution system for coupling a plurality of digital data sources to a plurality of digital data processors, comprising:

a plurality of segmented parallel data paths and a plurality of nodes connecting said segmented parallel data paths in a limitless ring, each node of said plurality of nodes including:

an input connector means for connecting the end of one of said segments of parallel data paths on a one-for-one basis,

a data multiplexer,

a plurality of node parallel data paths in said node corresponding to said segmented parallel data paths, respectively, and connected to said input connector means and said data multiplexer such that data input to said multiplexer data corresponds to respective ones of said segmented parallel data paths,

a processor means coupled to said node parallel data paths, and as a second input to said multiplexer means, and

a common source of clock signals and means for generating a slot signal for each node connected to said processor means for controlling the timing thereof.

3. A high speed data collection and distribution system having a plurality of nodes,

a plurality of parallel data transmission paths connecting said nodes in a limitless ring adapted to handle multiple data streams,

discriminator means at each node for discriminating between various types of data that are embedded in said multiple data streams,

combining means at each node connected to said discriminator means for selectively combining, at substantially

7

real-time rates, any portion of the data with any other portion of the data at any of the system's nodes, a common source of clock signals coupled to all said nodes, and means for generating a slot signal for each node and connected to said discriminator means at each node for controlling the timing of each node.  
4. The high speed data collection and distribution system defined in claim 3 said discriminator means including data

8

sorting means at each node adapted to sort data on a selected one or more of the following basis:  
a. source node address,  
b. destination node address, and  
c. a selected pattern contained in the data in said multiple data streams.

\* \* \* \* \*